



Commissioning and Calibration of the ALICE TPC



HMPID

TOF

TRD

PMD

ITS

Muon Arm

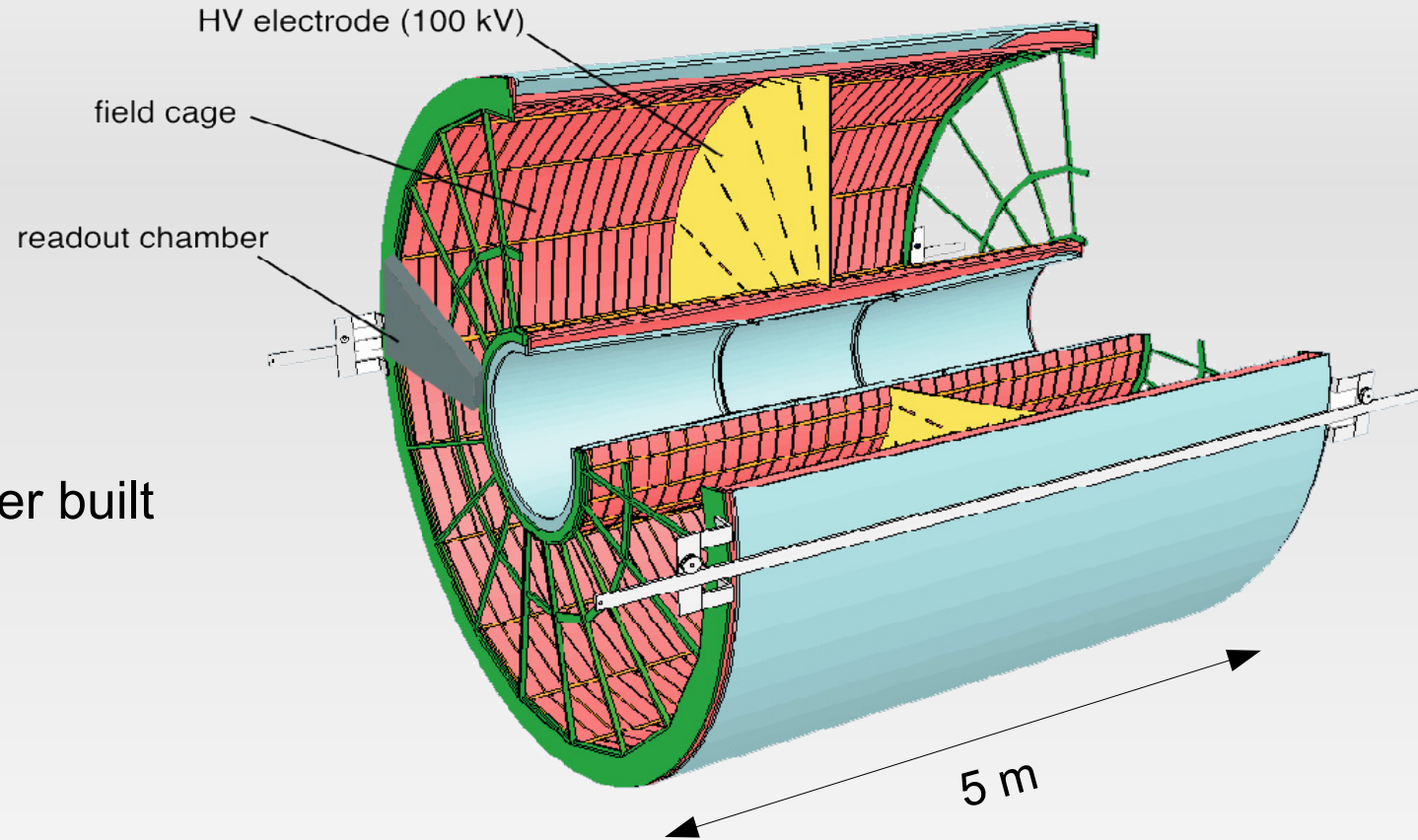
PHOS

TPC

ALICE Setup

The ALICE Time Projection Chamber

in numbers



Most challenging TPC ever built

Radius: 845 - 2466 mm

Drift length: 2 x 2500 mm

Drift time: 92 μ s

Gas mixture Ne-CO₂-N₂

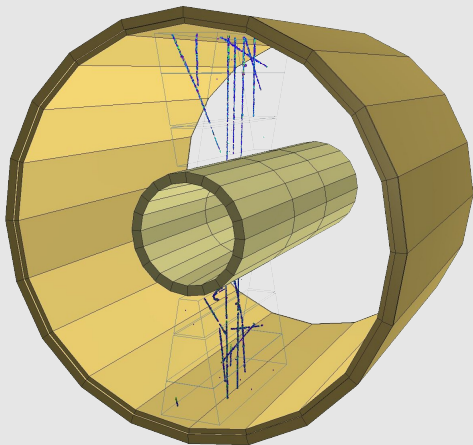
Gas volume: 90 m³

557568 readout pads

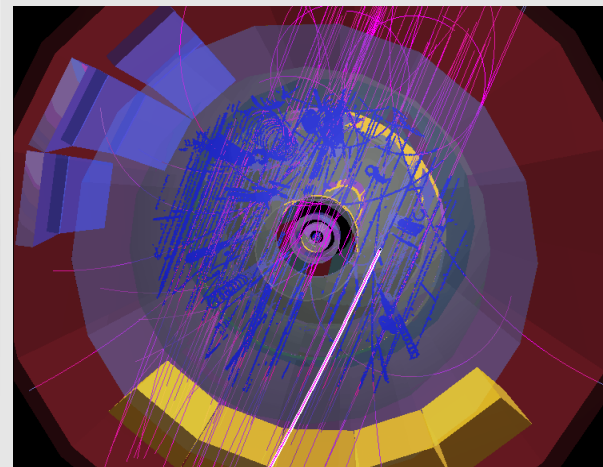
1000 samples in time direction

Raw data volume: 700 MB / event

Commissioning time line



- transport to experimental area
- commissioning of C-Side with final services



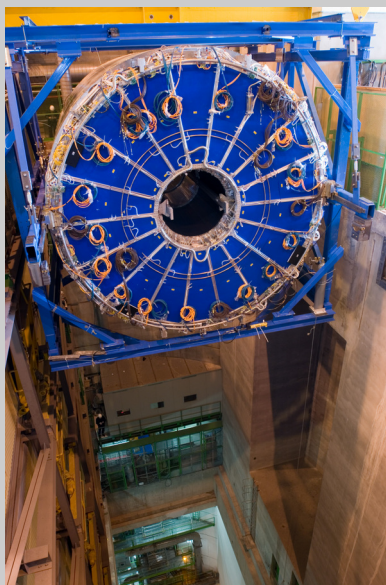
- Exchange of electronics
- Hardware modifications

→ 2006

2007

2008

2009



- Assembly
- First commissioning of sector pairs

- Commissioning of complete TPC with final services
- Running under final conditions over several weeks
- Extensive calibration runs

Noise measurements